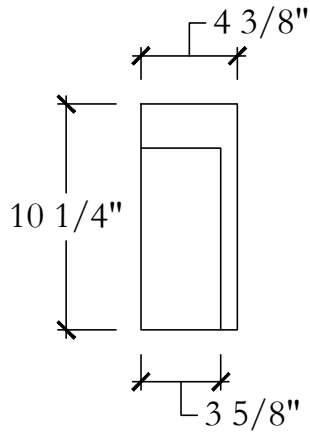


ISOMETRIC

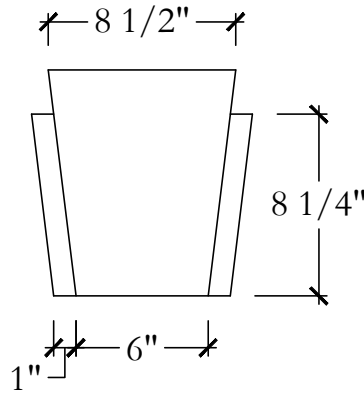
COLOR: \_\_\_\_\_

QUANTITY: \_\_\_\_\_

CCS TOLERANCE: ±.125



PROFILE



FRONT

KEY-4BW1 (BATWING)

SCALE: 1-1/2"=1'

SHOP DRAWING(S) STATUS (CHECK ONE)

RESUBMIT FOR APPROVAL:

APPROVED W/ MODIFICATIONS:

APPROVED

\_\_\_\_\_  
SIGNATURE

\_\_\_\_\_  
DATE

\_\_\_\_\_  
PRINTED NAME

<b>SHOP USE ONLY</b>
CATALOG # _____
CUSTOM ID # _____

DATE: \_\_\_\_\_

PROJECT: \_\_\_\_\_

CONTRACTOR: \_\_\_\_\_



734 E.169th Street, Westfield, IN 46074 Bus:(317) 896-1700 Fax:(317) 896-1701 Toll:(888) 776-9960

DRAWN BY:
CHECKED BY:
SHEET NO.